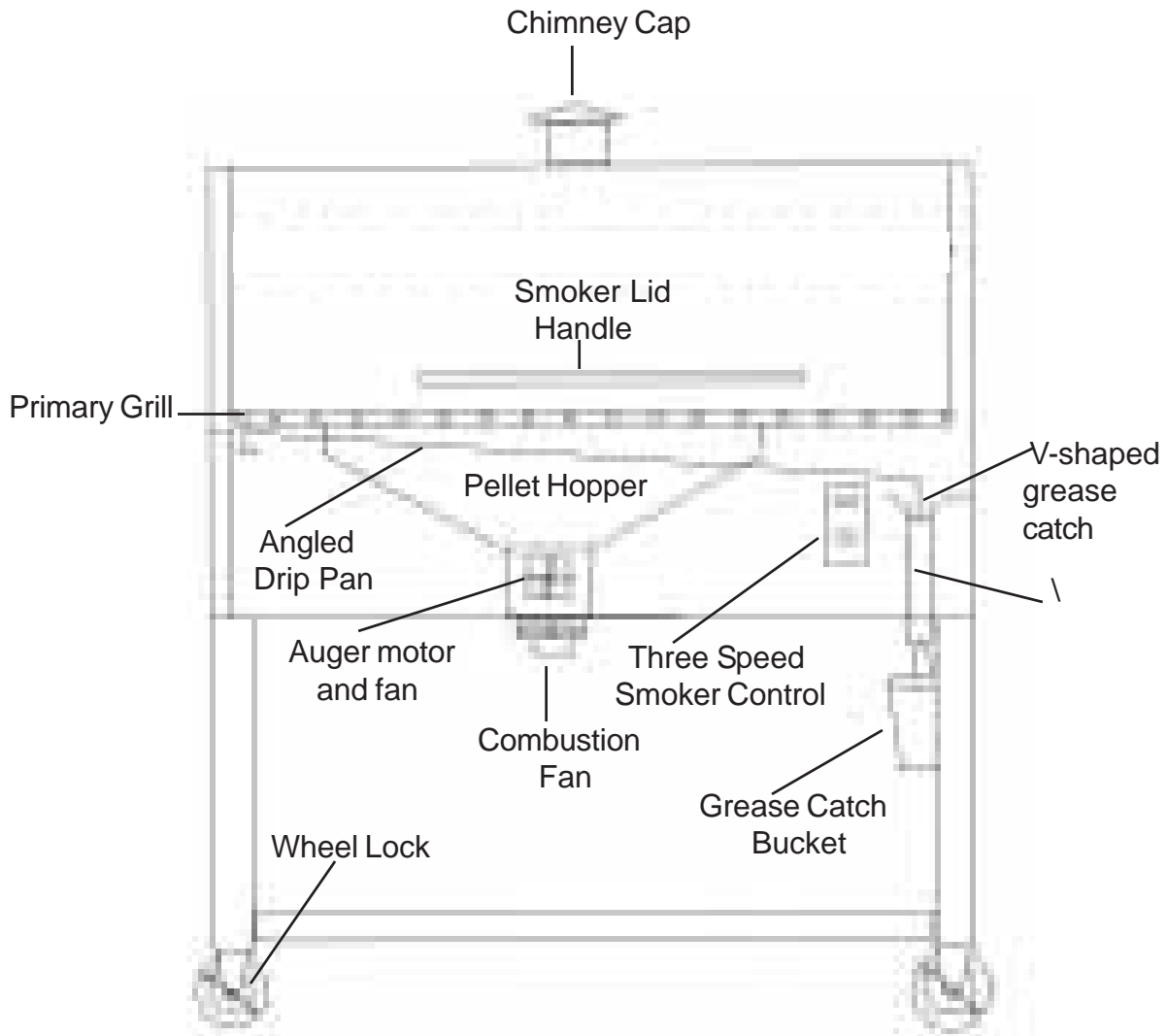
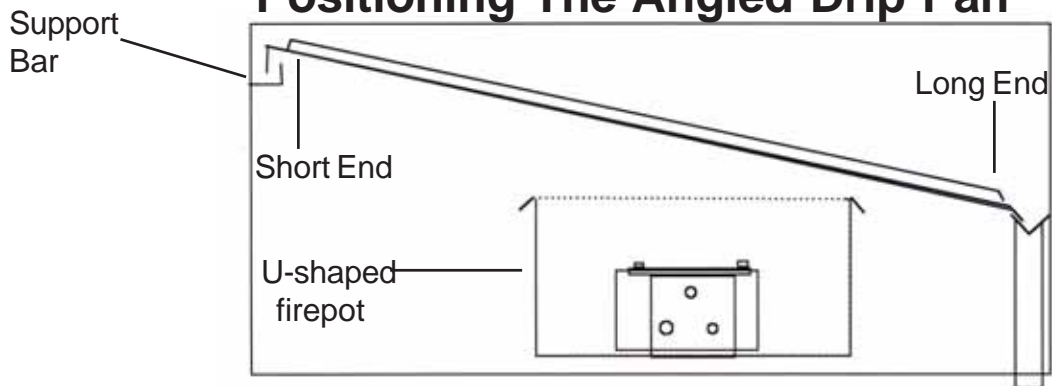


BBQ124 COMPONENT DIAGRAM



Positioning The Angled Drip Pan



The angled drip pan sets over the U-shaped firepot cover. The short end of the angled drip pan rests on a support bar on the left hand side of the smoker body. The long end of the drip pan should be placed into the "V" shaped grease catch found on the right hand side of the grill body.