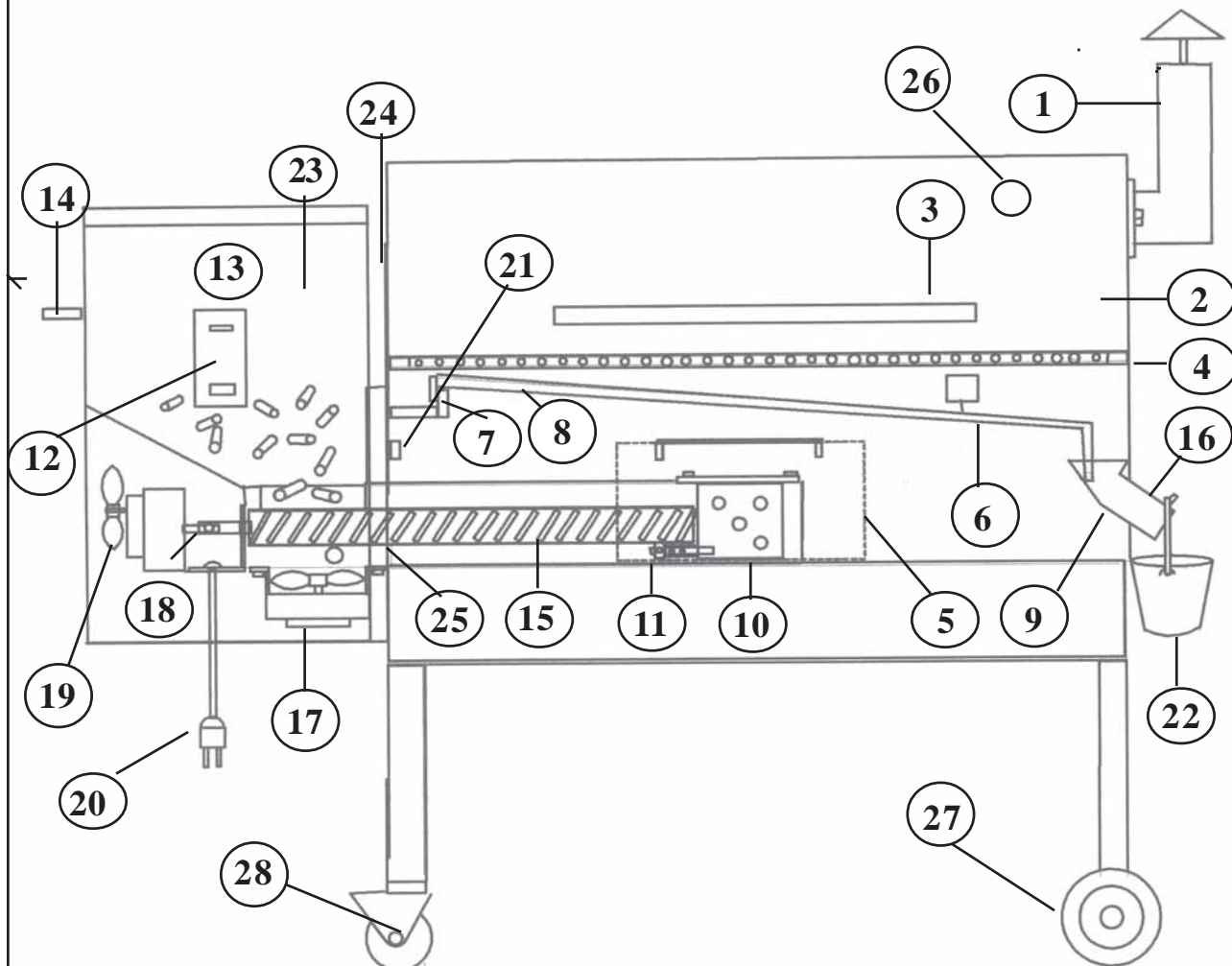


BBQ075 COMPONENT DIAGRAM



- | | | |
|-----------------------------|--------------------------|---------------------|
| 1) Smoke Stack | 10) Firepot | 19) Drive |
| 2) Cooking Chamber | 11) Autostart Hot Rod | 20) Power Cord |
| 3) Lid Handle | 12) Smoker Control Board | 21) Side Box Bolts |
| 4) Porcelain Cooking Grid | 13) Pellet Hopper | 22) Grease Bucket |
| 5) U-Shaped Firepot Cover | 14) End Handle | 23) Side Box |
| 6) Angled Drip Pan | 15) Auger | 24) Nut Zerts |
| 7) Drip Pan Support Bar | 16) Grease Drain Tube | 25) Gasket |
| 8) Short End-Drip Pan | 17) Draft Inducer | 26) Dome Therm.Port |
| 9) V Channel Grease Catcher | 18) Auger Nut & Bolt | 27) Rear Wheels |
| | | 28) Viper Casters |